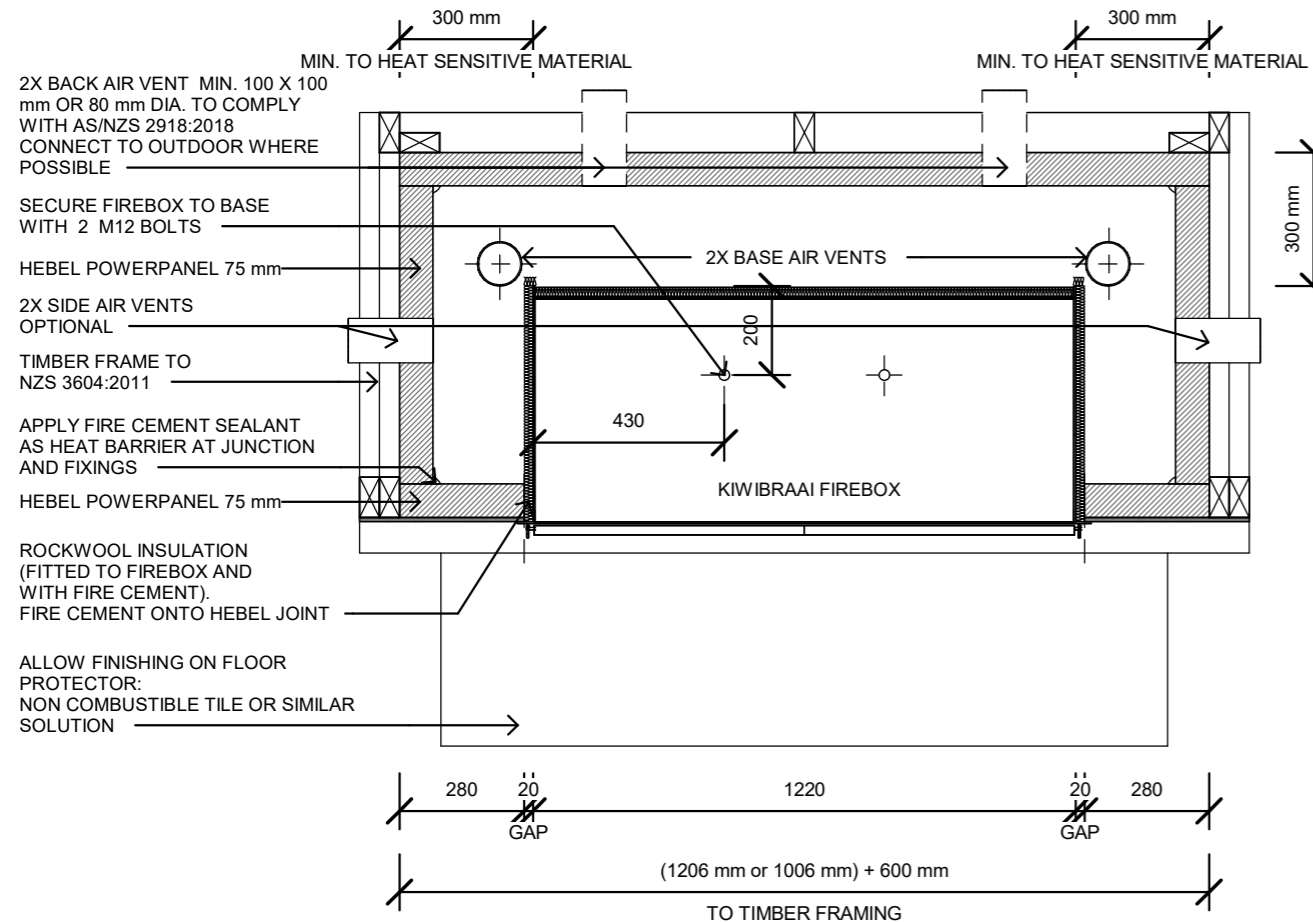


TIMBER FRAMING + HEBEL POWERPANEL INSTALLATION

IMPORTANT NOTE:
 FOR ENCLOSED OPERATION OR TO GO THROUGH THE ROOF CAVITY STANDARD KIWIBRAAI FLUE SYSTEM MUST BE REPLACED BY TRIPLE LINED FLUE SYSTEM AS PER AS/NZ:2918:2018
 *INSTALL FLUE SYSTEM TO MANUFACTURERS SPECIFICATIONS



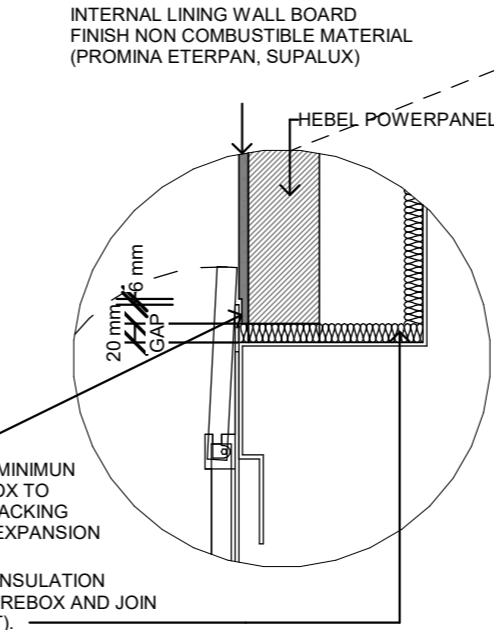
MIN. CLEARANCE 300 mm

ENCLOSURE 835 mm

MIN. FLOOR PROTECTOR 500 mm

ALLOW 3mm MINIMUM FROM FIREBOX TO PREVENT CRACKING FROM HEAT EXPANSION

ROCKWOOL INSULATION (FITTED TO FIREBOX AND JOIN FIRE CEMENT).



2X BACK AIR VENT MIN. 100 X 100 mm OR 80 mm DIA. TO COMPLY WITH AS/NZS 2918:2018 CONNECT TO OUTDOOR WHERE POSSIBLE

FOR ENCLOSED OPERATION STANDARD KIWIBRAAI FLUE SYSTEM MUST BE REPLACED BY TRIPLE LINED FLUE SYSTEM.

INTERNAL LINING WALL BOARD FINISH NON COMBUSTIBLE MATERIAL (PROMINA ETERPAN, SUPALUX)

ALLOW ENOUGH SPACE (AT LEAST 20 mm) BEHIND THIS FLANGE TO MAINTAIN THE ABILITY OF THE TOP DOOR TO STAY OPEN

HEBEL POWERPANEL 75 mm

ROCKWOOL INSULATION (FITTED TO FIREBOX AND JOIN WITH FIRE CEMENT).

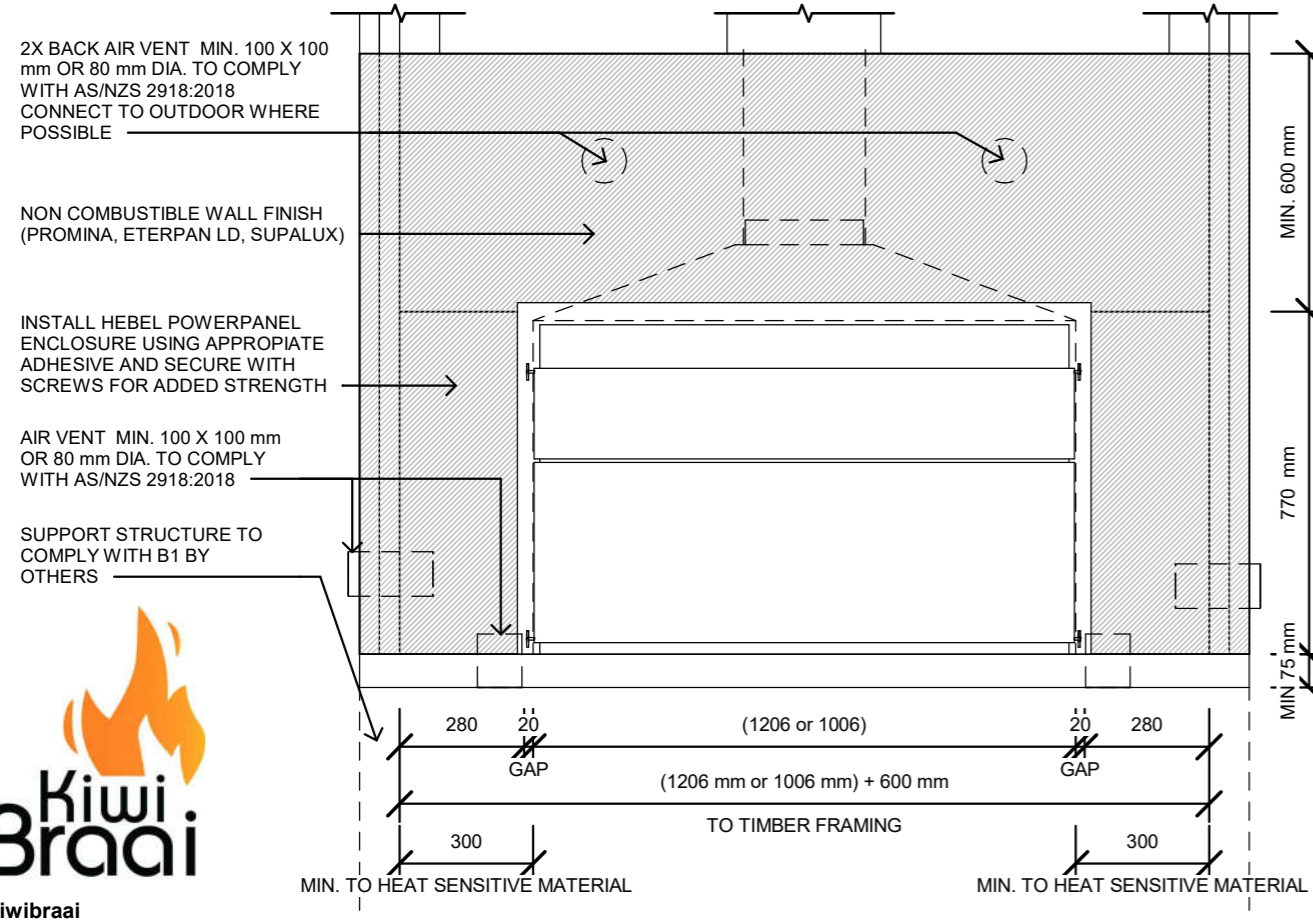
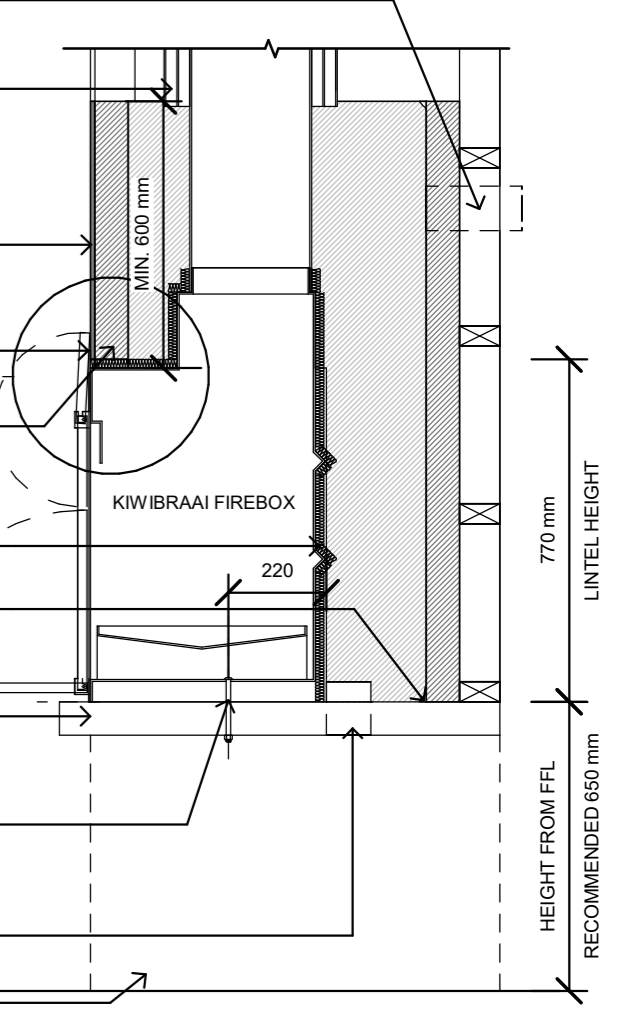
APPLY FIRE CEMENT SEALANT AS HEAT BARRIER AT JUNCTION AND FIXINGS

HEARTH SLAB LIGHTWEIGHT CONCRETE MIN 75 mm ALTERNATIVE OPTION: HEBEL BLOCK

SECURE FIREBOX TO BASE WITH 2 M12 BOLTS

2X BASE AIR VENT MIN. 100 X 100 mm OR 80 mm DIA. TO COMPLY WITH AS/NZS 2918:2018

SUPPORT STRUCTURE TO COMPLY WITH B1 BY OTHERS



2X BACK AIR VENT MIN. 100 X 100 mm OR 80 mm DIA. TO COMPLY WITH AS/NZS 2918:2018 CONNECT TO OUTDOOR WHERE POSSIBLE

TIMBER FRAME TO NZS 3604:2011

INSTALL HEBEL POWERPANEL USING APPROPRIATE ADHESIVE (FIRE CEMENT SEALANT) AND SECURE WITH SCREWS FOR ADDED STRENGTH

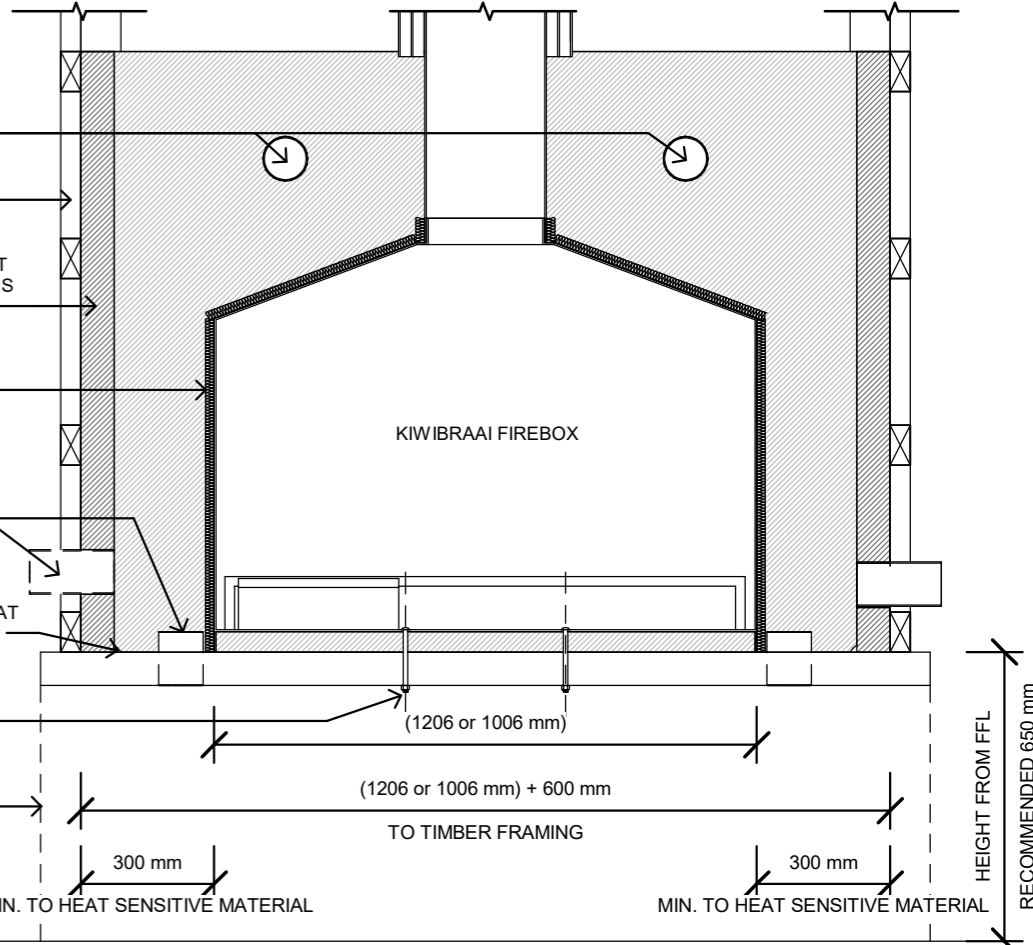
ROCKWOOL INSULATION (FITTED TO FIREBOX AND JOIN FIRE CEMENT).

AIR VENTS MIN. 100 X 100 mm OR 80 mm DIA. TO COMPLY WITH AS/NZS 2918:2018

APPLY FIRE CEMENT SEALANT AS HEAT BARRIER AT JUNCTION AND FIXINGS

SECURE FIREBOX TO BASE WITH 2 M12 BOLTS

SUPPORT STRUCTURE TO COMPLY WITH B1 BY OTHERS



*Kiwibraai RESERVES THE RIGHT TO CHANGE PRODUCT SPECIFICATIONS WITHOUT PRIOR NOTICE