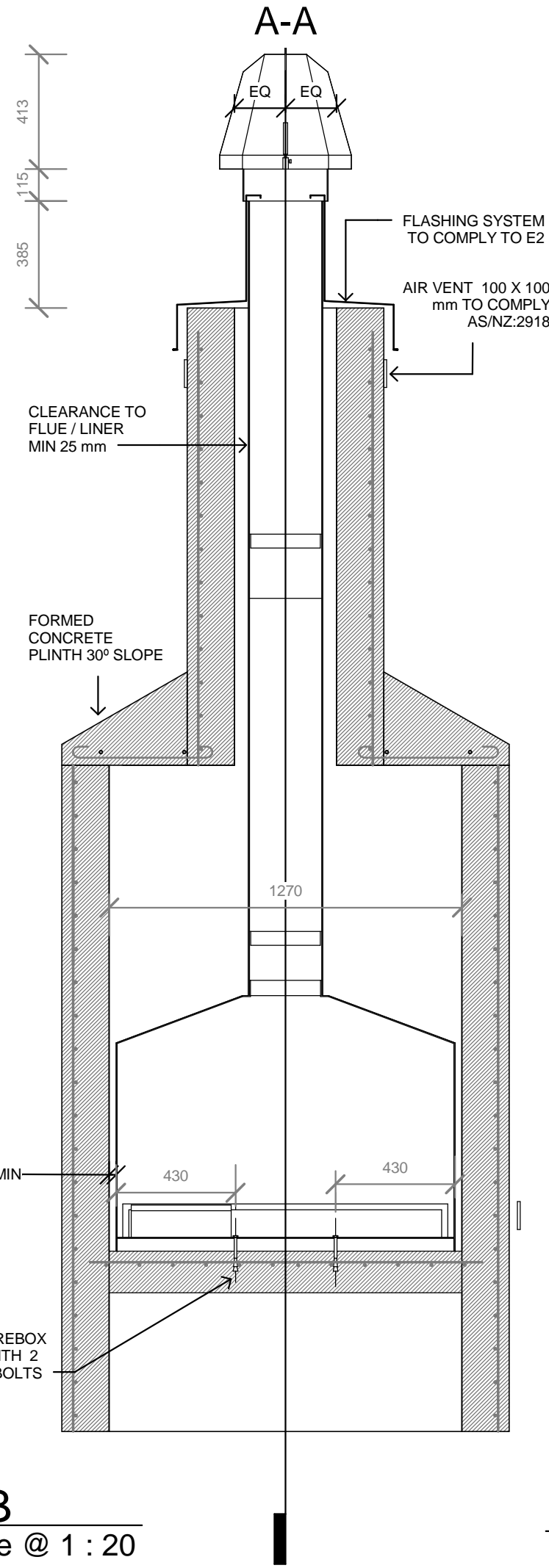
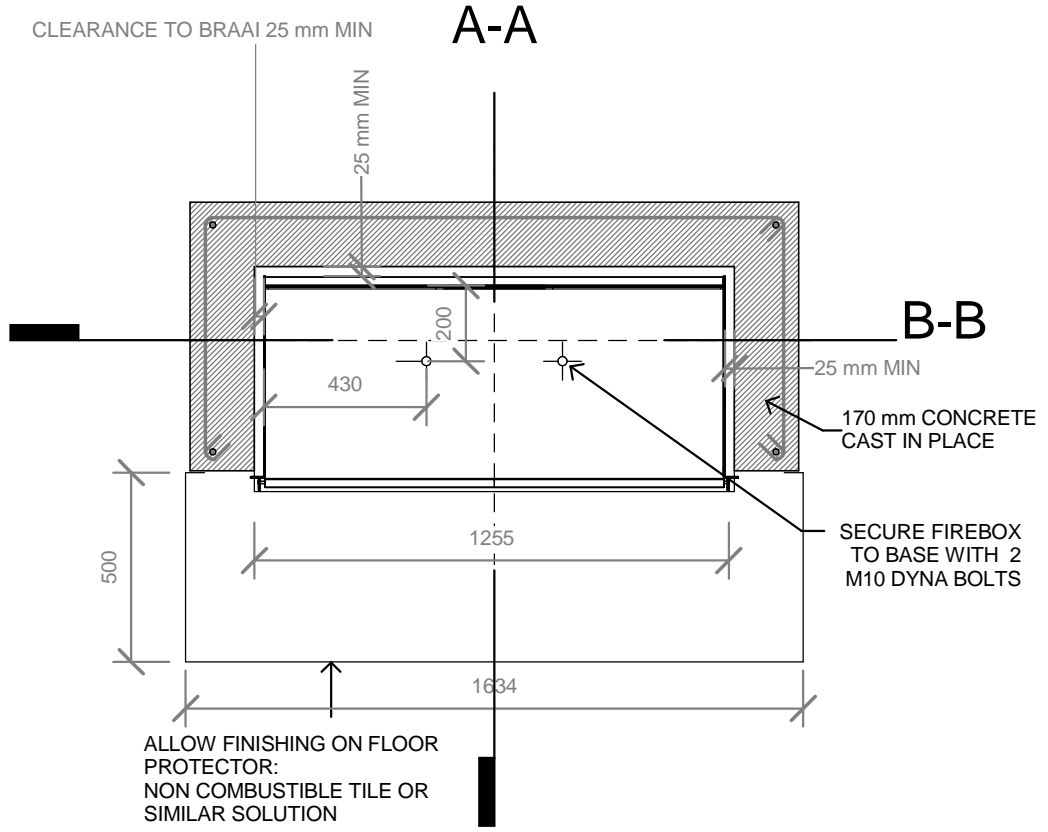
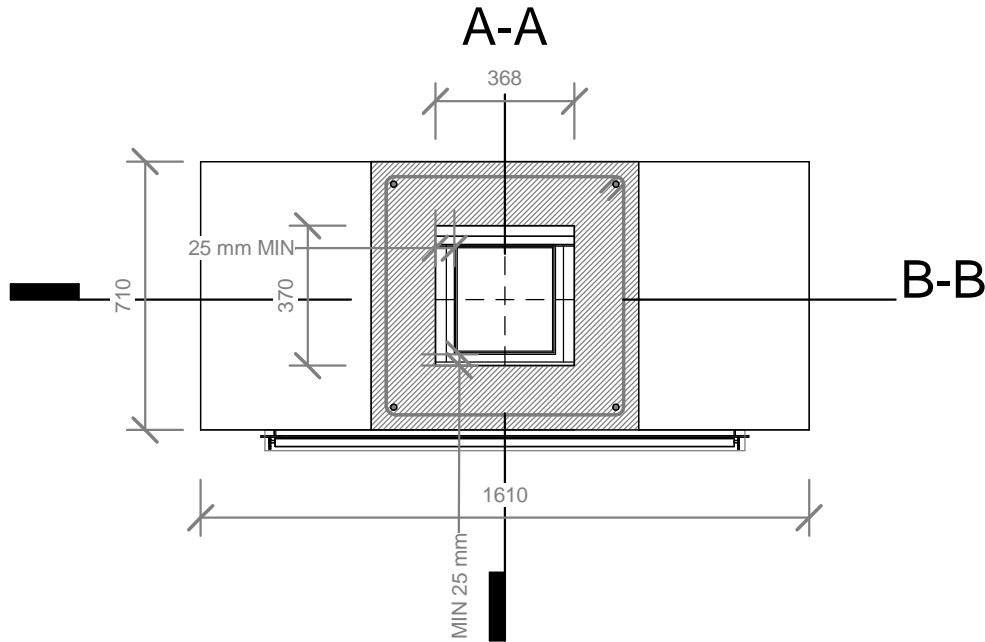
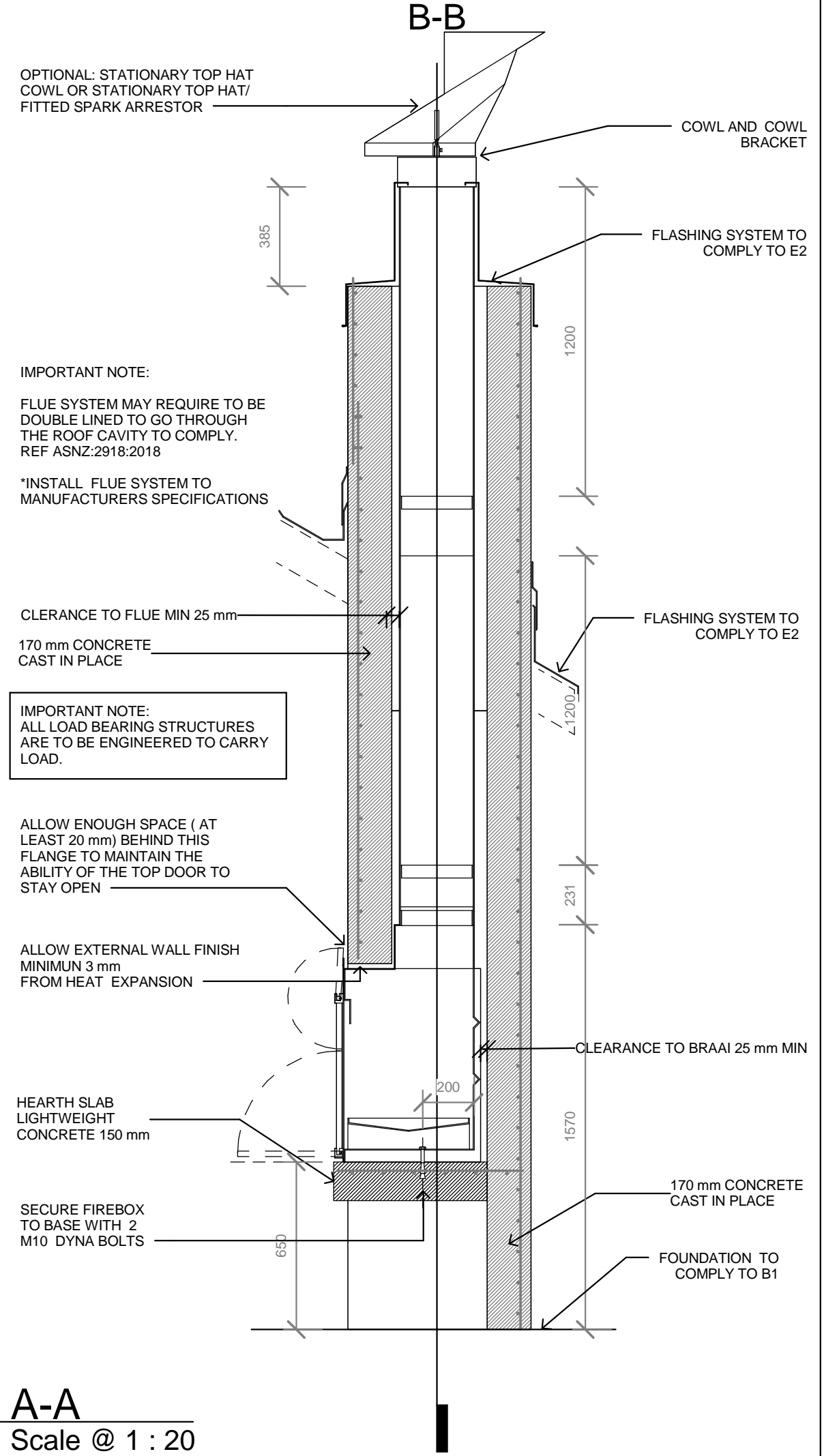


Cast In Situ Concrete Installation



B-B
 Scale @ 1 : 20



IMPORTANT NOTE:
 FLUE SYSTEM MAY REQUIRE TO BE DOUBLE LINED TO GO THROUGH THE ROOF CAVITY TO COMPLY. REF ASNZ:2918:2018

*INSTALL FLUE SYSTEM TO MANUFACTURERS SPECIFICATIONS

IMPORTANT NOTE:
 ALL LOAD BEARING STRUCTURES ARE TO BE ENGINEERED TO CARRY LOAD.

ALLOW ENOUGH SPACE (AT LEAST 20 mm) BEHIND THIS FLANGE TO MAINTAIN THE ABILITY OF THE TOP DOOR TO STAY OPEN

ALLOW EXTERNAL WALL FINISH MINIMUM 3 mm FROM HEAT EXPANSION

A-A
 Scale @ 1 : 20



Kiwibraai
 Email: info@kiwibraai.co.nz
 Web: www.kiwibraai.co.nz
 Phone: 021 790 903