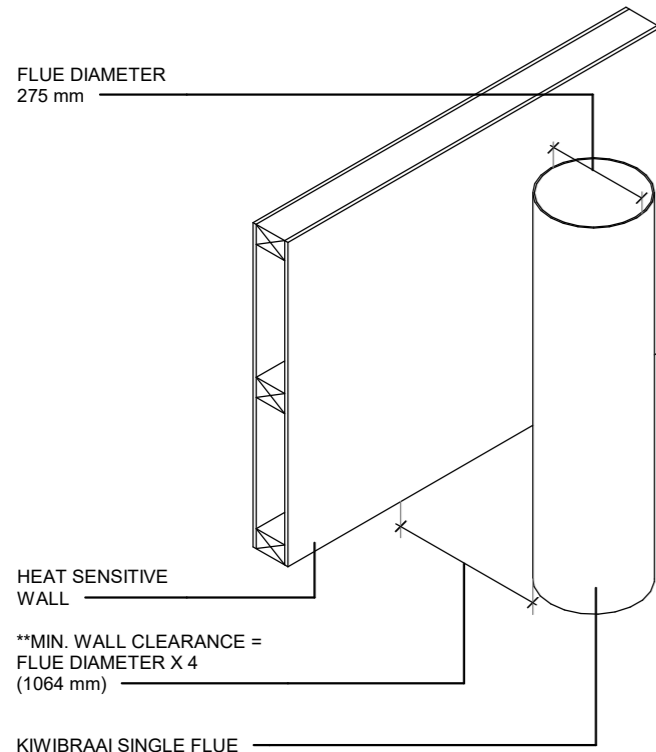
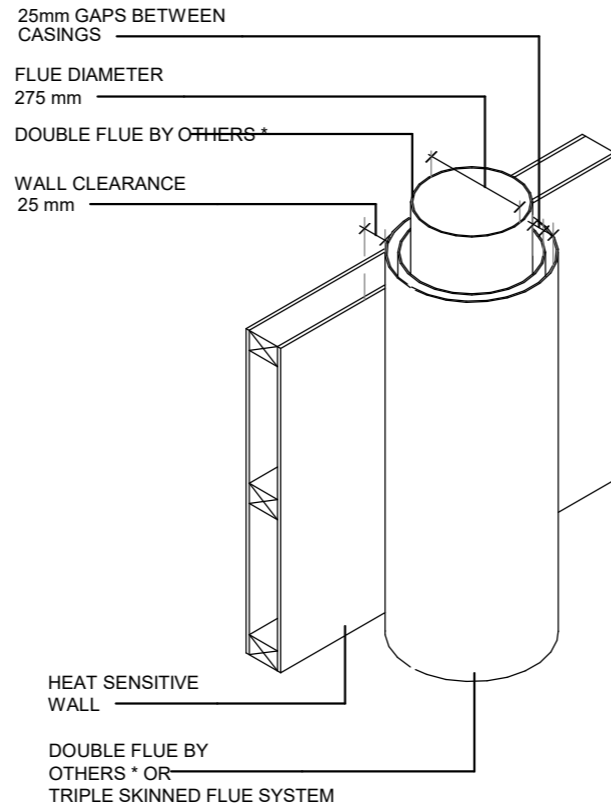


FLUE INSTALATION DETAILS

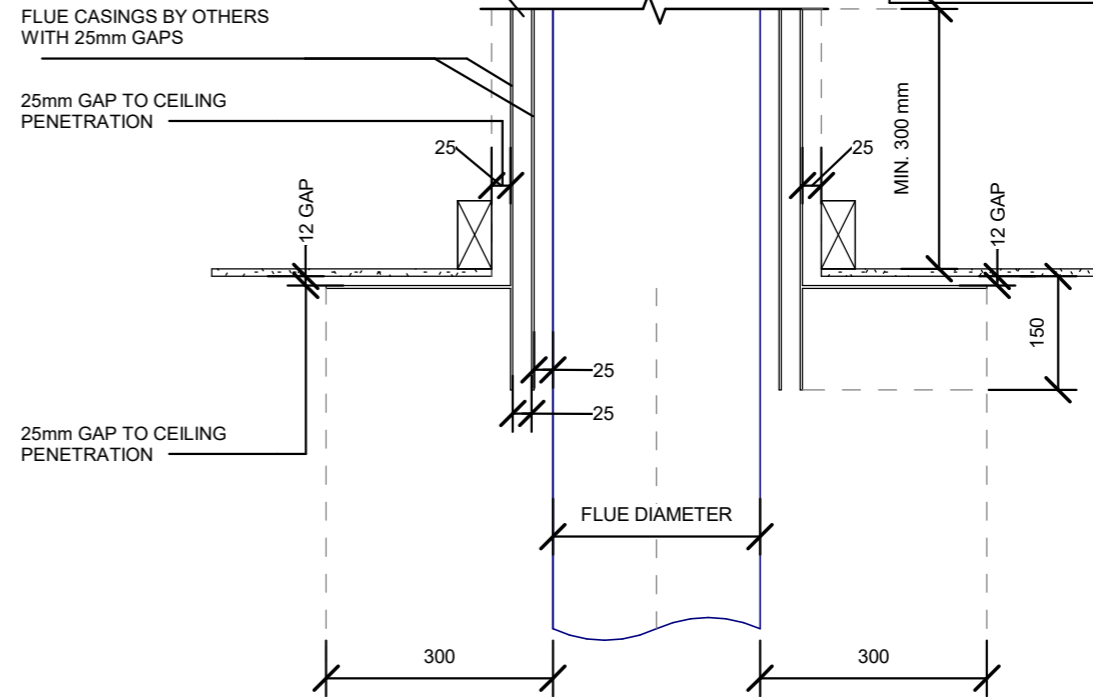


**NOTE: 1200 mm CLEARANCE BETWEEN KIWIBRAAI FIREBOX AND HEAT SENSITIVE WALL TO TAKE PRECEDENCE UNLESS PROVISION OF HEAT SHIELD, CLAUSE 3.2.1 AS/NZ 2918:2018



*FOR A SINGLE CASING FLUE WITH 25 mm THE WALL CLEARANCE SHALL BE (2 X FLUE DIAMETER) APPLICATION OF AS/NZ 2918:2018

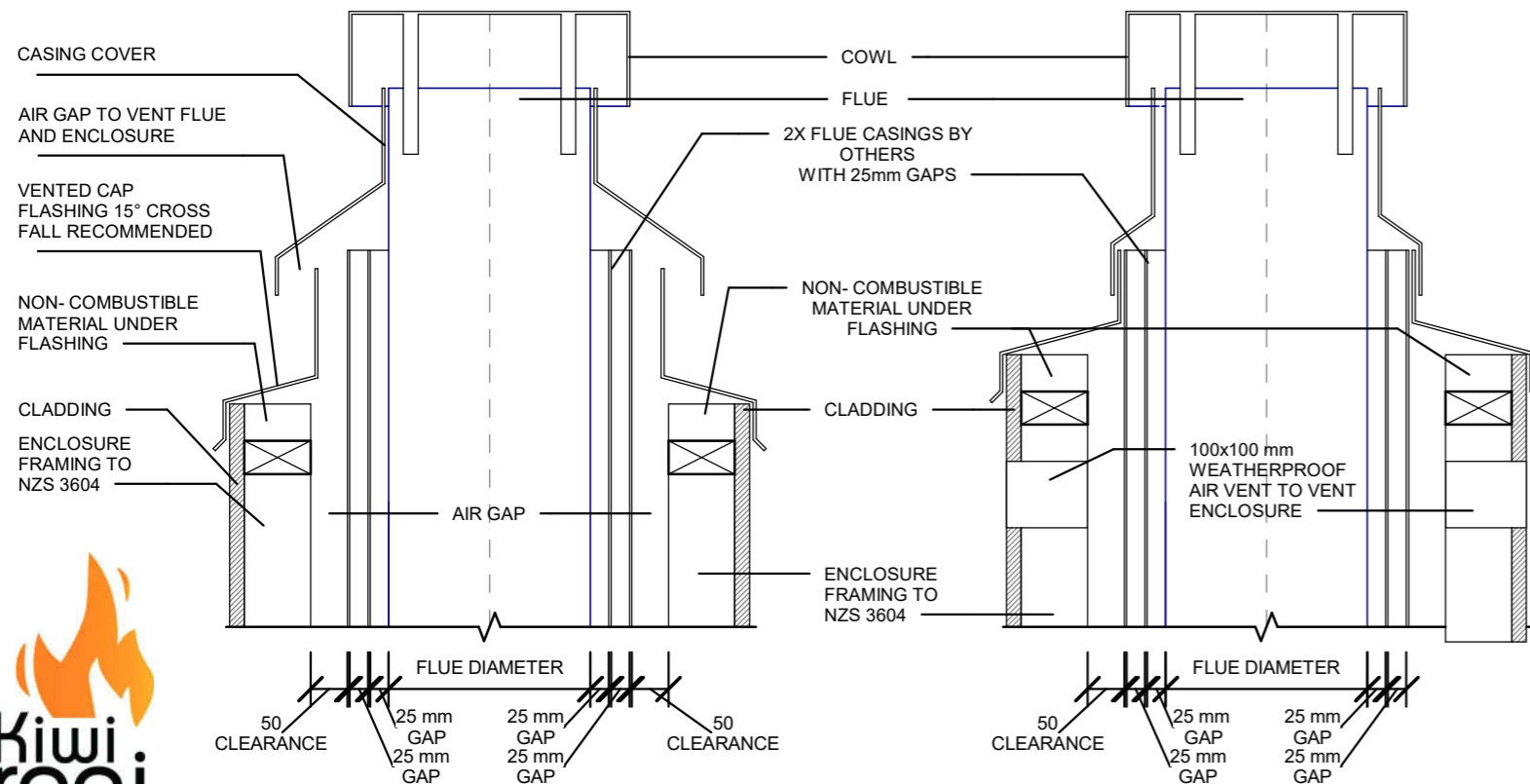
FLUE CASINGS SHALL BE VENTILATED BOTH WAYS AND EXTEND MIN. 300 mm ABOVE CEILING



*DISTANCE FROM HEAT SENSITIVE CEILING TO FREE STANDING KIWIBRAAI FIREBOX NO LESS THAN 1500 mm UNLESS PROVISION OF HEAT SHIELD AS PER CLAUSE 3.2.1 AS/NZ 2918:2018

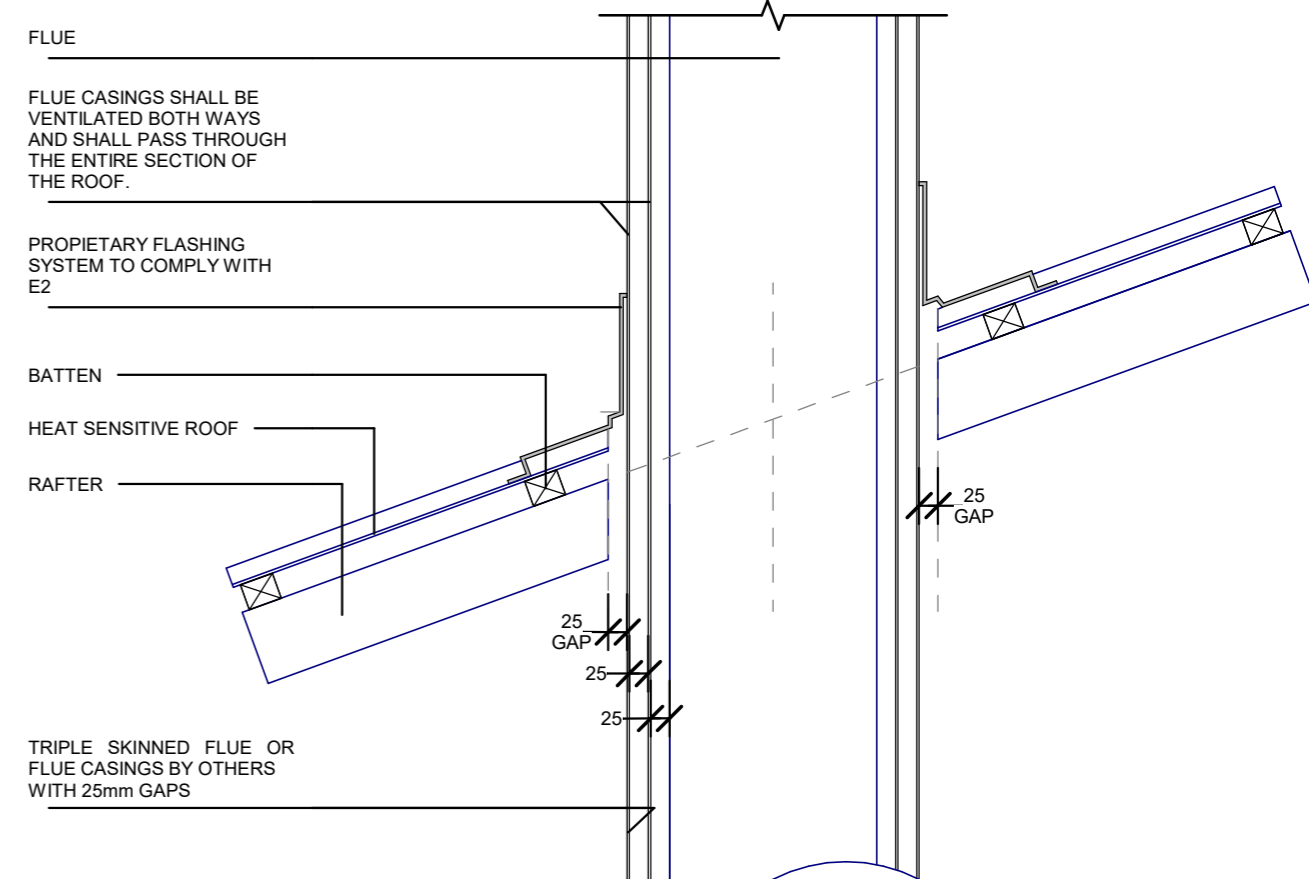
IMPORTANT NOTE:
FOR ENCLOSED OPERATION OR TO GO THROUGH THE ROOF CAVITY STANDARD KIWIBRAAI FLUE SYSTEM MUST BE REPLACED BY TRIPLE LINED FLUE SYSTEM AS PER AS/NZ:2918:2018
*INSTALL FLUE SYSTEM TO MANUFACTURERS SPECIFICATIONS

WALL CLEARANCE DETAILS



FLUE TERMINATIONS DETAIL

CEILING PENETRATION DETAIL



ROOF PENETRATION DETAIL



Kiwibraai
Email: info@kiwibraai.co.nz
Web: www.kiwibraai.co.nz
Phone: 021 790 903