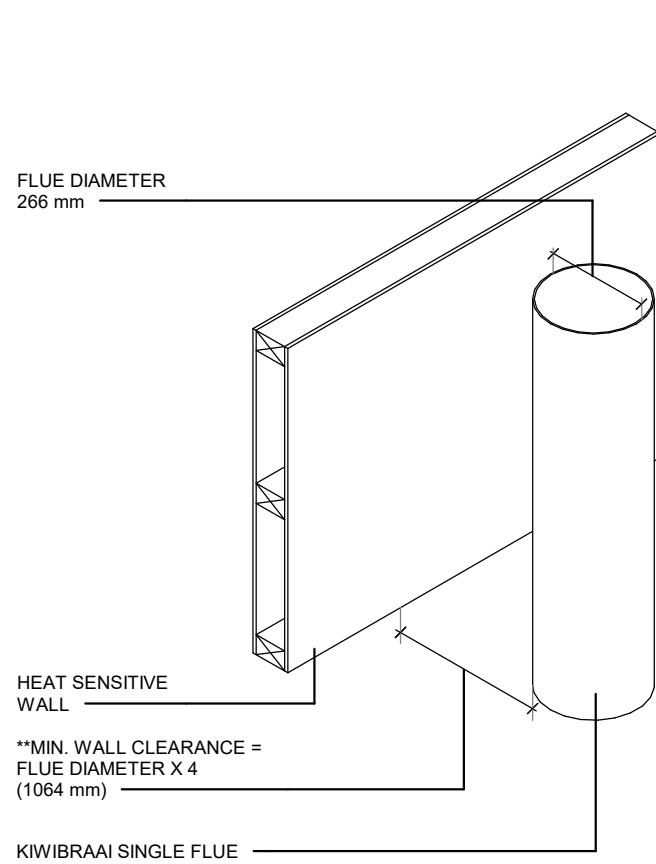
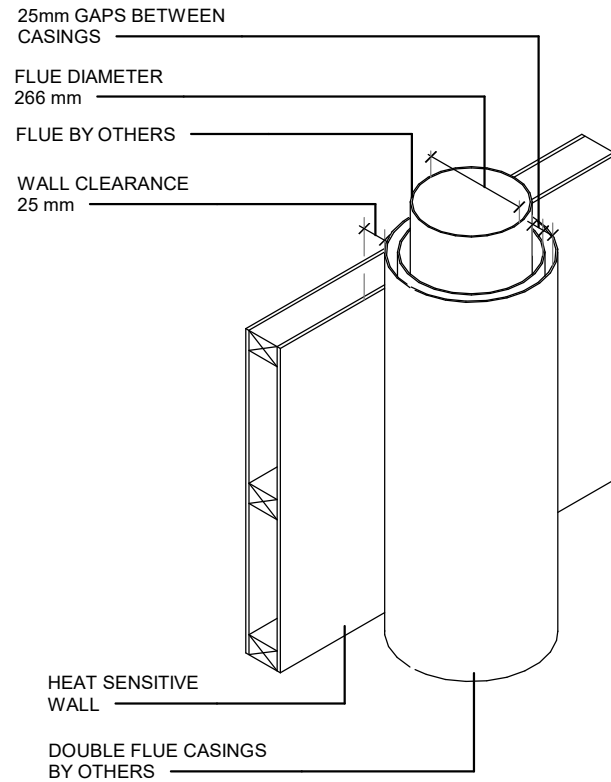


FLUE INSTALATION DETAILS



**NOTE: 1200 mm CLEARANCE BETWEEN KIWIBRAAI FIREBOX AND HEAT SENSITIVE WALL TO TAKE PRECEDENCE UNLESS PROVISION OF HEAT SHIELD, CLAUSE 3.2.1 AS/NZ 2918:2001



*FOR A SINGLE CASING FLUE WITH 25 mm THE WALL CLEARANCE SHALL BE (2 X FLUE DIAMETER) APPLICATION OF AS/NZ 2918:2001

FLUE CASINGS SHALL BE VENTILATED BOTH WAYS AND EXTEND MIN. 300 mm ABOVE CEILING

FLUE CASINGS BY OTHERS WITH 25mm GAPS

25mm GAP TO CEILING PENETRATION

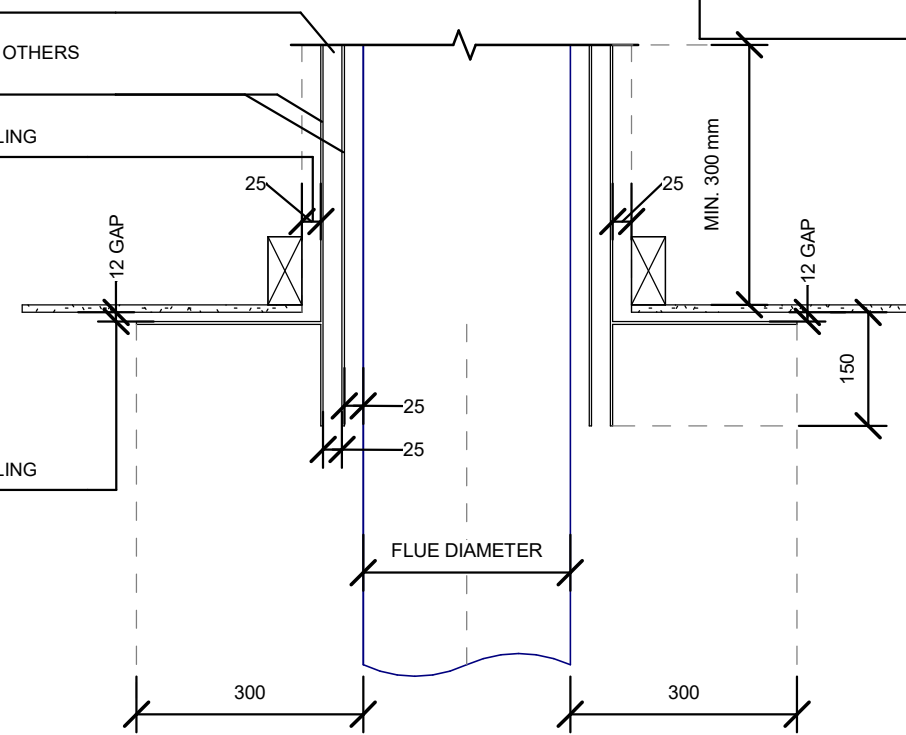
25mm GAP TO CEILING PENETRATION

*DISTANCE FROM HEAT SENSITIVE CEILING TO FREE STANDING KIWIBRAAI FIREBOX NO LESS THAN 1500 mm UNLESS PROVISION OF HEAT SHIELD AS PER CLAUSE 3.2.1 AS/NZ 2918:2001

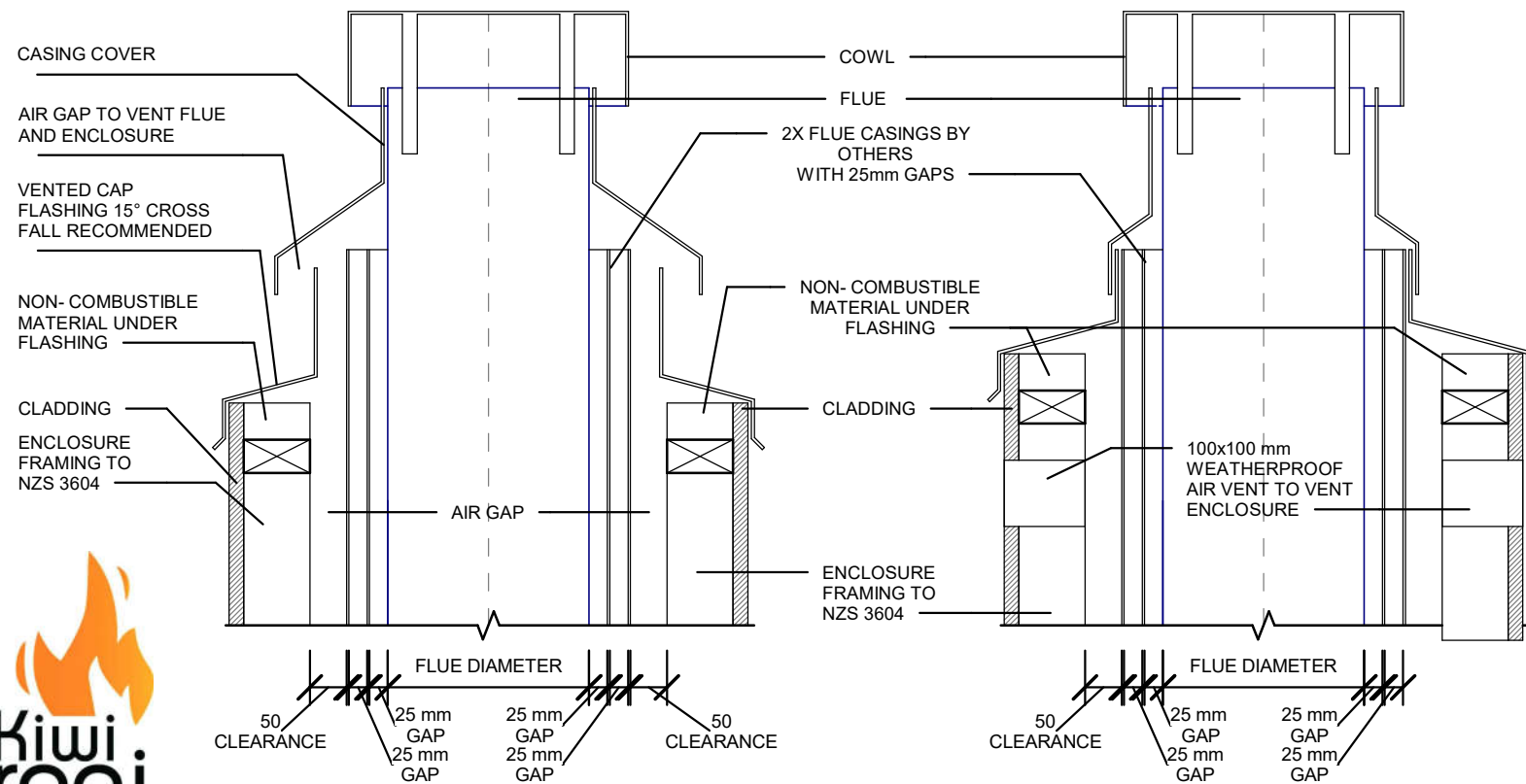
IMPORTANT NOTE:

FOR ENCLOSED OPERATION OR TO GO THROUGH THE ROOF CAVITY STANDARD KIWI BRAAI FLUE SYSTEM MUST BE REPLACED BY DOUBLE LINED FLUE SYSTEM BY OTHERS AS PER AS/NZ:2918:2001

*INSTALL FLUE SYSTEM TO MANUFACTURERS SPECIFICATIONS

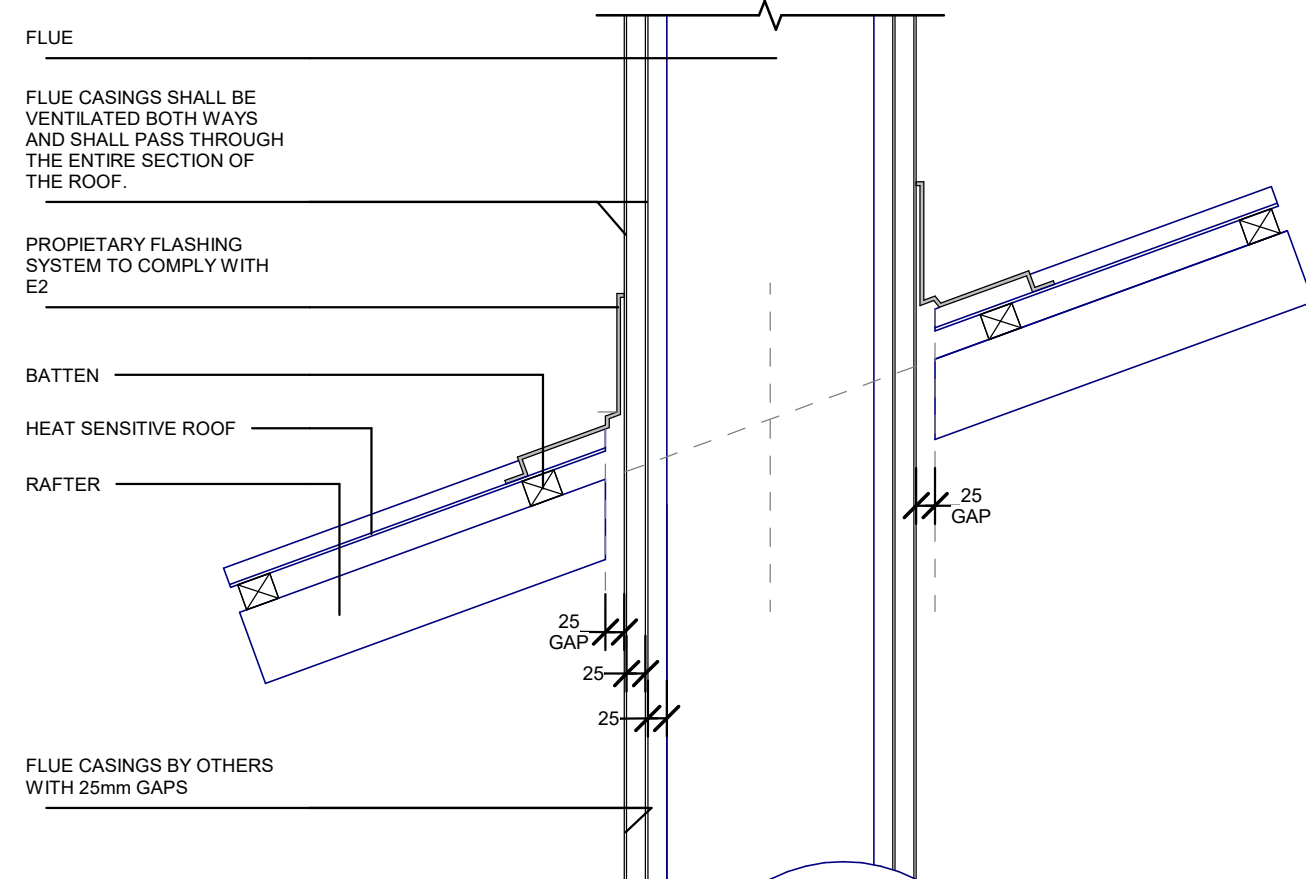


WALL CLEARANCE DETAILS



FLUE TERMINATIONS DETAIL

CEILING PENETRATION DETAIL



ROOF PENETRATION DETAIL



Kiwibraai
 Email: info@kiwibraai.co.nz
 Web: www.kiwibraai.co.nz
 Phone: 021 790 903